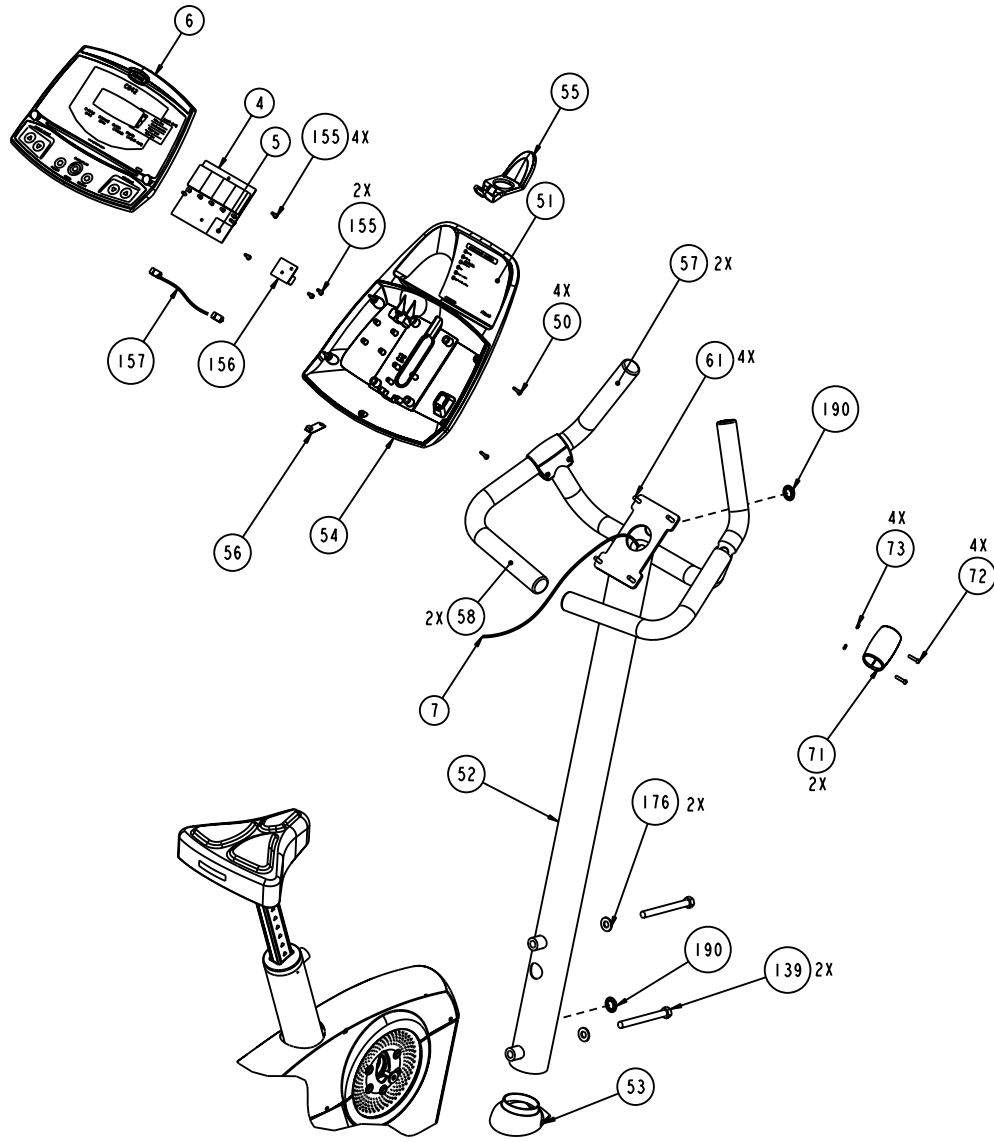
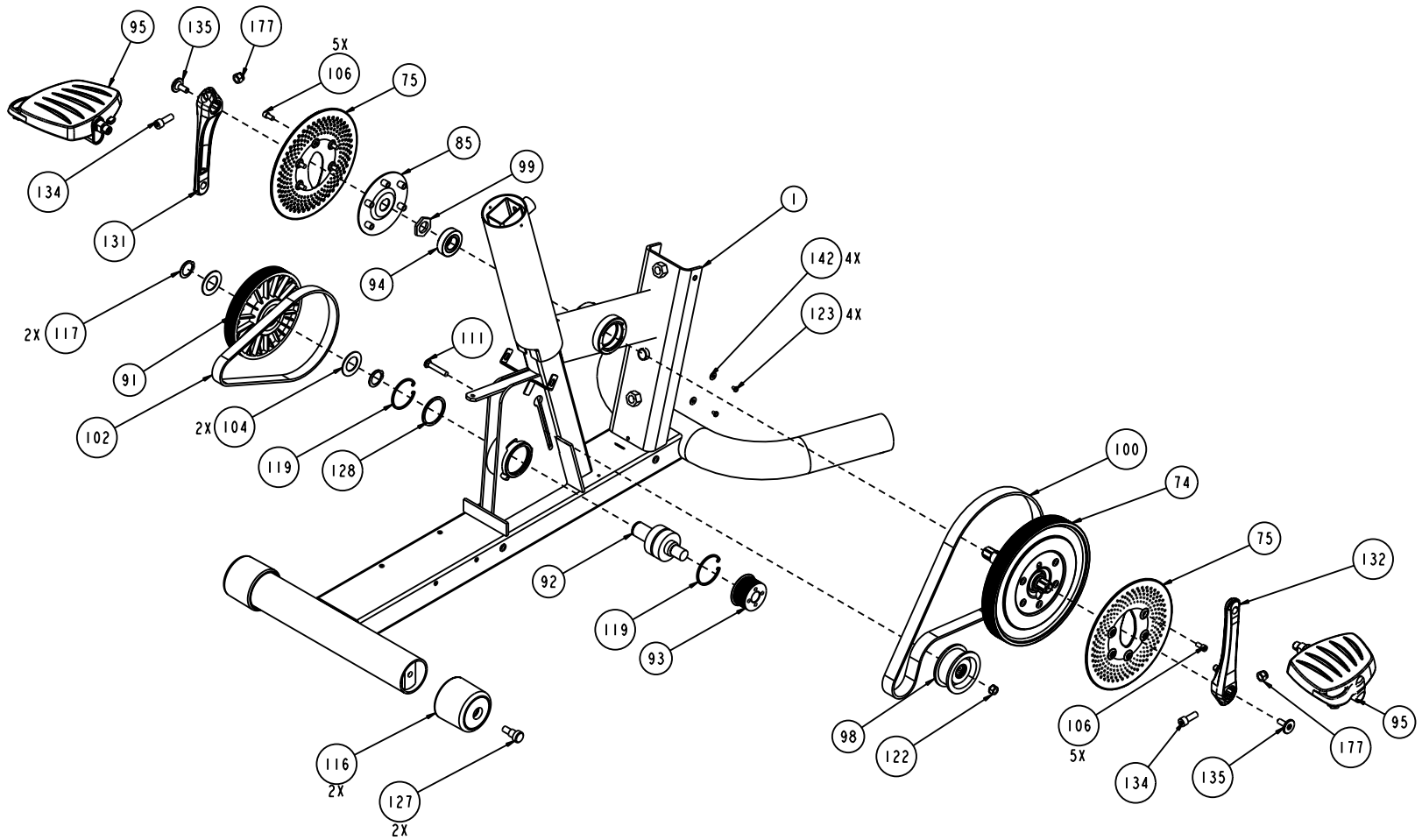


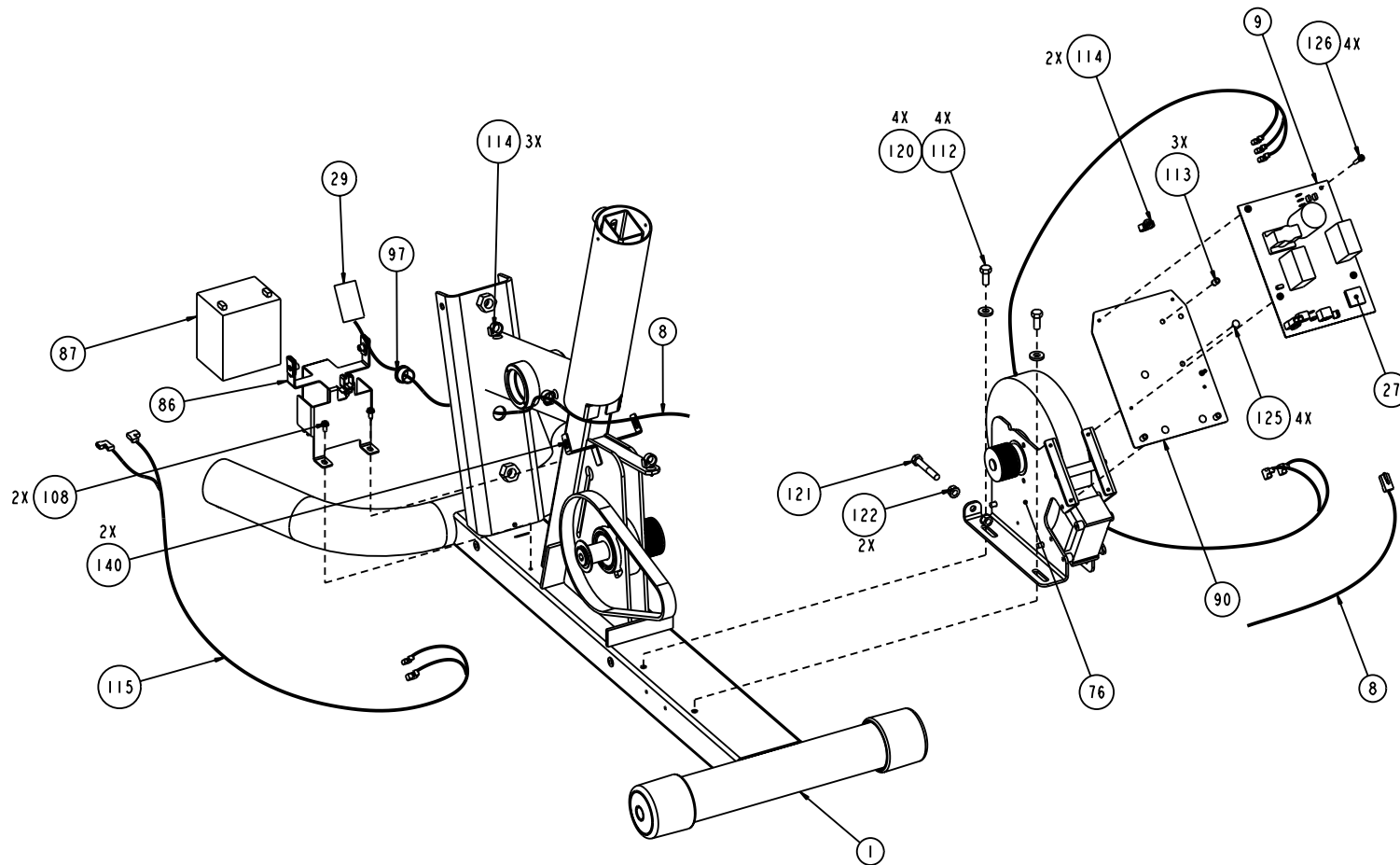
C842 UPRIGHT	P/N 45922-101	REV: L
DRAWN BY: M.HAMILTON	DATE: 09.02.05	SHEET 1 OF 6



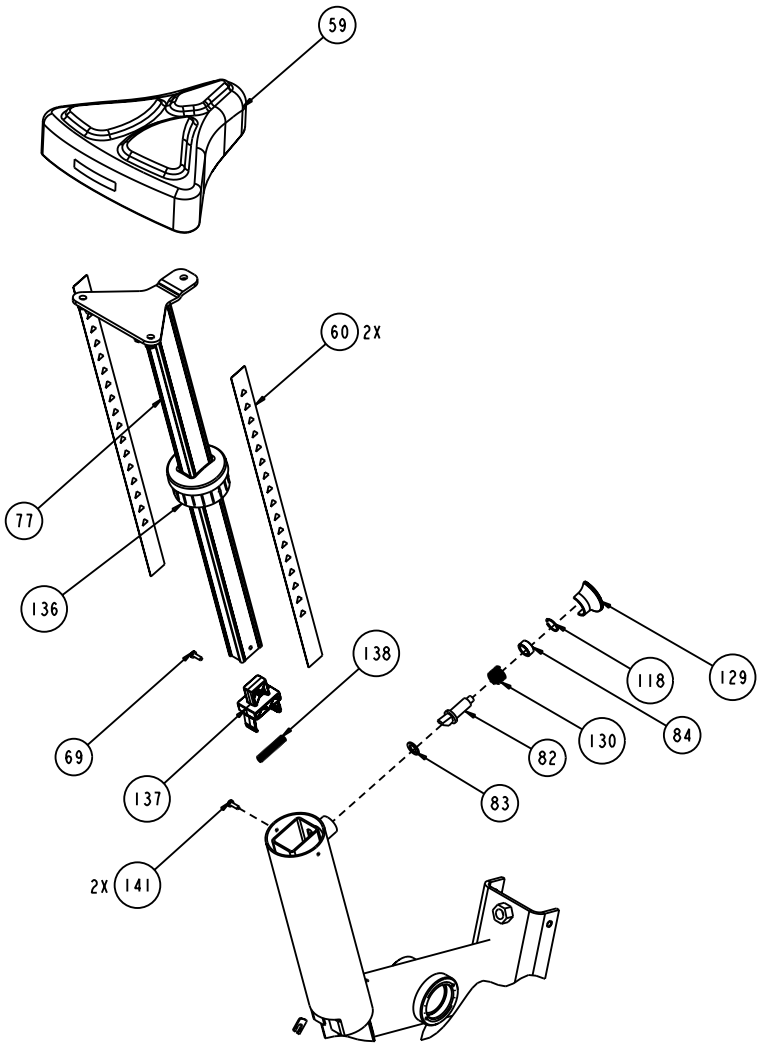
C842 UPRIGHT	P/N 45922-101	REV: L
DRAWN BY: M.HAMILTON	DATE: 09.02.05	SHEET 2 OF 6



C842 UPRIGHT	P/N 45922-101	REV: L
DRAWN BY: M.HAMILTON	DATE: 09.02.05	SHEET 3 OF 6

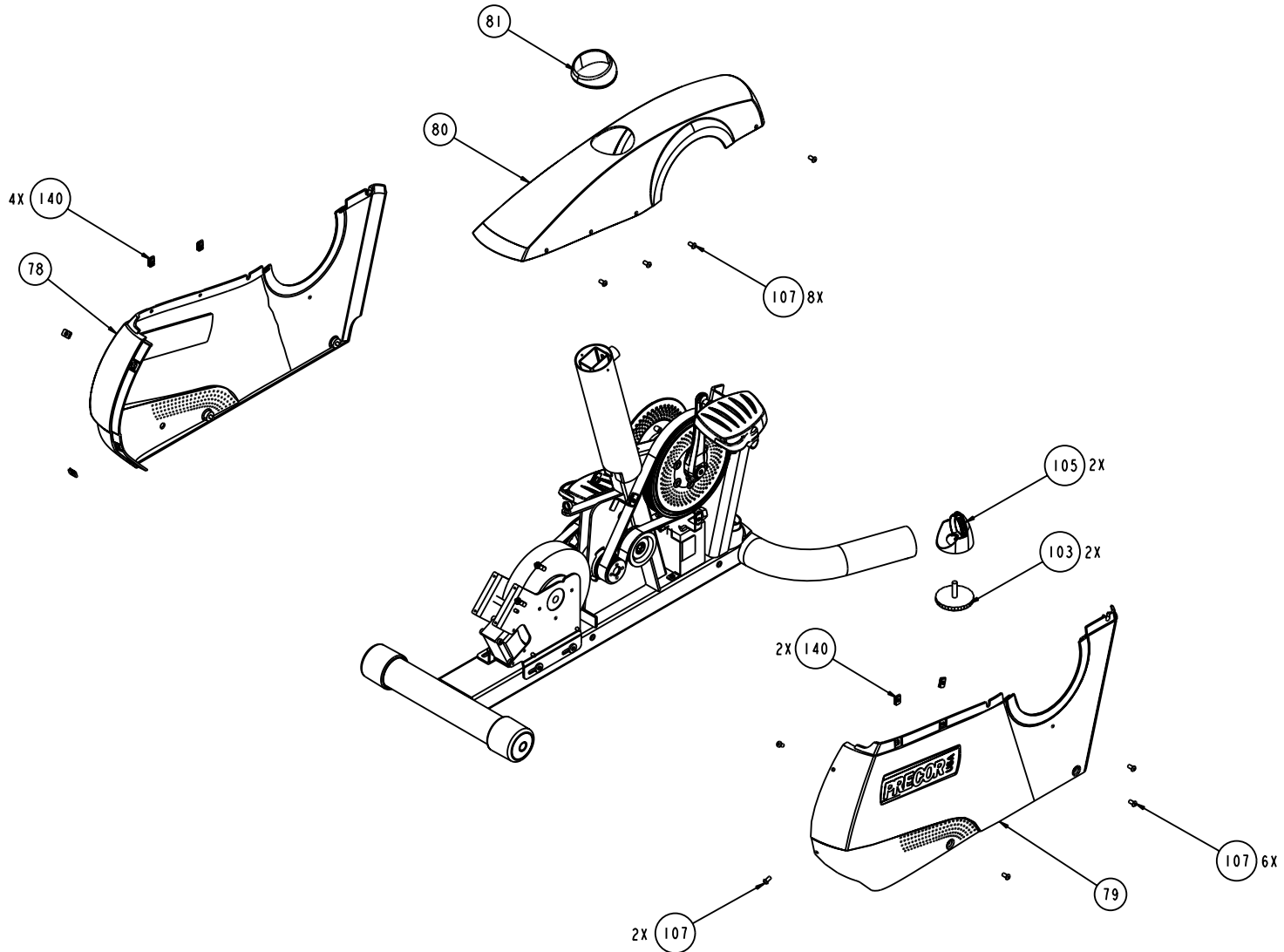


C842 UPRIGHT	P/N 45922-101	REV: L
DRAWN BY: M.HAMILTON	DATE: 09.02.05	SHEET 4 OF 6



C842: ITEM 77 IS P/N 45460-103 (SHOWN).
 C846: ITEM 77 IS P/N 45933-101.

C842 UPRIGHT	P/N 45922-101	REV: L
DRAWN BY: M.HAMILTON	DATE: 09.02.05	SHEET 5 OF 6



C842 UPRIGHT	P/N 45922-101	REV: L
DRAWN BY: M.HAMILTON	DATE: 09.02.05	SHEET 6 OF 6

C842i (upright)(serial code NQ, NR)

Part Number	Description	Bubble Number	Your Price
45402-107	WELDMENT,FRAME,842I/846I UPRIGHT,PT	1	\$242.64
48049-102	ASSY, UPPER PCA & SW, C842I, TD, CS	4	\$161.28
48043-101	DISPLAY, ASSEMBLY, EN,C842I	6	\$53.92
44905-048	ASSY,CBL,MOD,8P8C,1-1,48"	7	\$2.88
44905-042	ASSY,CBL,MOD,8P8C,1-1,42"	8	\$3.68
45600-583	PCA, BIKE SELF POWER, 3 PHASE, (T2,	9	\$260.00
48213-101	ASSY, LOWER PCA & SW, SELF POWER BI	9.01	\$278.08
45475-211	CPU, PGMD, BIKE, SELF POWER 3-PHASE	27	\$72.00
11415-101	COUPLER,MOD,8P8C,INLINE	29	\$7.28
PMKN016-088	SCREW,TCS,#8X7/8,PHIL,BLK ZN,TYPE 2	50	\$0.48
43179-104	BACKPLATE, DISPLAY, COMMERCIAL ,STO	51	\$35.84
47377-111	LABEL, ACCESSORY TRAY, EN, C842I	51	\$10.00
45419-104	WELDMENT, DISPLAY SUPPORT, C842I/C8	52	\$181.68
45512-101	SWEAT BIB	53	\$8.16
43329-102	WIRE FORM,PLASTIC,COMMERCIAL	55	\$6.48
48026-101	RECEIVER, WIRELESS, HEART RATE, POL	56	\$55.36
38580-109	GRIP,HANDLEBAR,10.25" LONG	57	\$13.28
38580-102	GRIP,HANDLEBAR	58	\$17.12
38649-101	SEAT,846U	59	\$32.00
45523-101	LABEL, UPRIGHT, SEAT POST POSITION	60	\$7.28
TAKN025-100	SCREW,BTHD,1/4-20X1,BLK ZN	61	\$0.96
PMKN016-050	SCREW,TCS,#8X1/2,PHIL,BLK ZN,TYPE25	69	\$0.32
40056-101	COVER, HANDLEBARS, 846 UPRIGHT	71	\$10.64
CDNN019-075	SCREW, SKHD, 10-32X3/4,SS,LK	72	\$0.48
KBANN019-013	NUT,HEX,10-32,STAINLESS	73	\$0.32
45439-103	ASSY,CRANK, INPUT,INTEGRATED BEARIN	74	\$75.92
45747-101	CRANK COVER, SELF-POWERED BIKE	75	\$8.16
45436-101	ASSEMBLY,SP,GENERATOR,BIKE	76	\$189.20
45933-101	WELDMENT, SEAT POST,UNIVERSAL	77	\$174.00
47425-101	WELDMENT, SEAT POST, UNIVERSAL, LON	77	\$174.00
47437-101	ASSEMBLY, COVER W/LABELS,BIKE,LEFT	78	\$59.04
47437-102	ASSEMBLY, COVER W/LABELS,BIKE,RIGHT	79	\$59.04
45510-102	COVER, TOP, BIKE, UPRIGHT,STONE GREY	80	\$57.12
45513-101	BOOT, SEAT POST	81	\$8.80
45522-103	UPRIGHT, SEAT POST, ADJUSTMENT PIN	82	\$36.00
45524-101	UPRIGHT, SEAT POST, ADJUST PIN, BUS	83	\$5.76
45525-101	UPRIGHT, SEAT POST, ADJUST PIN, PAD	84	\$6.80
45842-101	ASSY, LOCKRING, SELF-POWERED BIKE	85	\$5.76
46983-101	BRACKET, BATTERY, SELF POWERED BIKE	86	\$20.16
12258-040	BATTERY,SLA,12V,4AH,.187 TABS	87	\$62.40
45438-101	BRACKET,BOARD, SELF POWERED, BIKE	90	\$7.52
47435-101	ASSY, SECONDARY SHEAVE, C846I	91	\$69.36
45449-101	ASSY,SECONDARY SHAFT	92	\$57.44
45450-103	SHEAVE, SECONDARY AXLE	93	\$27.52
45441-105	INTEGRATED ACORN NUT, BEARING,BALL,	94	\$36.08
58017-102	PEDAL KIT, RIGHT AND LEFT	95	\$31.20
46824-101	STRAP, PEDAL,846/842	95.01	\$2.80
10178-102	BUSHING, SNAP (SB-750-625)	97	\$0.48
46825-101	PULLEY,IDLER,FLANGED	98	\$23.60
45445-101	NUT, CEASE, CRANK	99	\$2.00
10217-137	BELT, DRIVE, 420J10 POLY V	100	\$36.40
10217-136	BELT, DRIVE, POLY V 260J8	102	\$31.68
11406-104	FOOT, ADJUSTING 3" DIA	103	\$15.84
12089-103	26MM THRUST BEARING IGUS,LTM-2644-0	104	\$3.28
45743-101	COVER, ADJUSTABLE FOOT, 842/846	105	\$5.28
CCKN025-075	SCREW,SKHD,1/4-20X0.75,BLK ZN,LK	106	\$1.44
TAKN025-075	SCREW,BTHD,1/4-20X3/4,BLK ZN	107	\$0.40
PADCN019-038	SCREW,S/T,#10-32X3/8,WSHHXHD,ZN TRI	108	\$0.32

BACN031-175	BOLT, CARRIAGE, 5/16-18 X 1.75	111	\$0.80
WBANN034-013	WASHER,FLAT,ID=11/32,OD3/4,TH=.125,	112	\$0.72
12289-806	SPCR,SELFRETAIN,NYLN,#8(M-4),3/8"	113	\$0.40
12414-101	CABLE CLAMP INSERT,SNAP IN	114	\$1.36
45250-040	ASSY,CBL,2C,16AWG,QK DISC,40"	115	\$14.00
45742-101	WHEEL,846/842	116	\$3.60
ABHN025-002	RING, RETAINING, 25MM EXTERNAL	117	\$0.80
AJHN075-004	RNG, RETAINING, INVRTD LUGS, INTRNL	118	\$0.48
ADHN052-002	RING, RETAINING, INTERNAL (52MM)	119	\$2.00
HEWN031-075	SCREW,HEXHD,5/16-18X.75LG,GR8,YZN	120	\$0.32
HJCN031-200	SCREW,HEX,5/16-18X2.0,ZINC,FULLY T	121	\$0.56
KGCN031-027	LOCKNUT,STARWASHER,5/16-18,1/2	122	\$0.32
MGCN016-025	SCREW,MCH,8-32X1/4,PANHD,PHIL,	123	\$0.32
PGKN016-050	SCREW,S/T,#8X1/2,TRS,PHIL,BLK	125	\$0.32
PMKN016-088	SCREW,TCS,#8X7/8,PHIL,BLK ZN,TYPE 2	126	\$0.48
RAKN038-050	SCREW,SHLD,1/2 X 1/2,HEXSC,	127	\$4.00
WAKNN044-004	WASHER, WAVE, SSB-0205	128	\$3.60
45744-102	KNOB HANDLE,846/842, (DEEP BLUE)	129	\$5.26
10231-125	SPRING,COMP, .716 OD X .75 L X .042	130	\$1.68
45837-107	CRANK, LH, SP BIKE	131	\$21.76
45837-110	CRANK, RH, SP BIKE	132	\$25.04
45838-102	SCREW, CUSTOM, CRANK, M8 X 18L, SOC	134	\$0.40
CAKN038-125	SCREW,SKHD,3/8-16X1.25,BLK ZN	134	\$2.48
45838-101	SCREW, CUSTOM, CRANK, M8 X 22L, SP	135	\$1.92
38650-103	CAP, SEAT POST, C846U (MACHINED),ST	136	\$8.40
45514-101	BEARING,SEAT POST	137	\$3.60
10231-128	SPRING,COMPRESSION,.420 X 1.75 X .0	138	\$5.12
HCKN050-500	SCREW,HEX,GR5,1/2-13X5,BLK ZN	139	\$3.36
12577-101	MULTI-THREAD U-NUT 1/4-20 ITW CIP	140	\$0.00
PMKN016-050	SCREW,TCS,#8X1/2,PHIL,BLK ZN,TYPE25	141	\$0.32
MGCN016-038	SCREW,MCH,8-32X3/8,PANHD,PHIL,	155	\$0.32
TAKN031-175	SCREW,BTHD,5/16-18X1-3/4,BLK ZN	160	\$3.20
WBKN050-008	WASHER, FLAT,1/2,.086 BLK ZINC	176	\$0.32
47718-101	HOLE PLUG, PLASTIC .875 X.03-.08	190	\$0.48
45716-101	KIT,HARDWARE,C846/C842	200	\$23.52
58022-101	CRANKARM REPLACEMENT KIT	250	\$137.04
45704-106	LITERATURE KIT, C842I	999	\$28.16